

PROVEN STRENGTH & DURABILITY

MICRON FIBREGLASS FILTERS



FIBREGLASS FILTERS

Waterco's digitally controlled filament winding machine faultlessly winds continuous strands of high quality fibreglass filament under controlled tension filament to create a seamless one-piece vessel with refined consistency and superior quality. There are no welds or seams or special tank linings which can corrode or electrolyse. High productivity and flexibility allow Waterco to cater for high market demand and fulfil the special requirement from our customers.

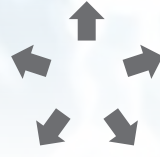


Strict Quality Control

BENEFITS OF FIBREGLASS FILTERS



Fire Resistant



Able to Handle Stress



Longevity



Corrosion Resistant



Non-Conductive



Light Weight & Easy to Handle



Weather Proof



Minimum Maintenance



UV Resistant



Digital Controlled Filament Winding



Custom Design



High Productivity

FILTER MEDIA OPTIONS



Glass Pearl

Manufactured from pure glass, Glass Pearls are a new generation of filter media, capable of providing water of superior clarity.



Sand

Filter sand is naturally occurring, graded and washed silicon dioxide. An inert media, it is hard and durable and has a long service life.



ZeoPlus

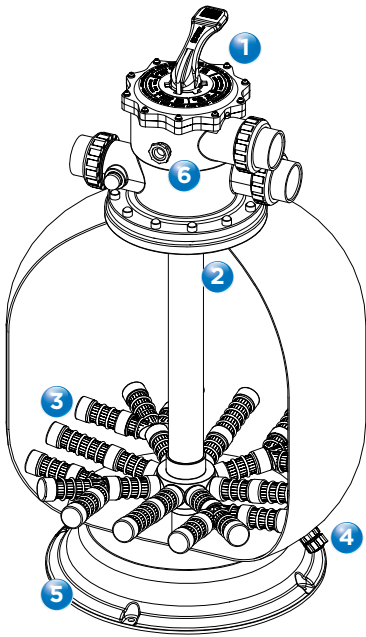
ZeoPlus with microporous structure and ammonia removal properties will significantly improve the quality of your water.



EcoPure

Manufactured from recycled glass, it is an environmentally friendly and viable alternative to sand. Plus it offers finer filtration than sand.

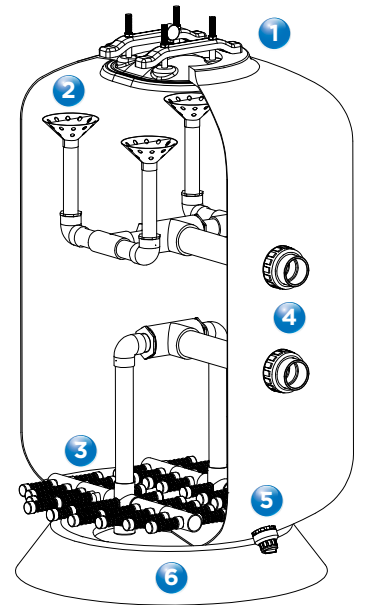
Top Mount Filters



- 1 MPV** 6-way multiport valves with universal union connection and pressure gauge.
- 2 Diffuser** Even distribution of water flow across the water filter.
- 3 Lateral Pipes** Hydraulic efficient design for best performance and minimum water usage.
- 4 Manual Drain** Easily access drain point for water discharge.
- 5 Base** Large filter base for stable floor mounting.
- 6 Air Release Valve** Manual valve that helps to release air pockets at ease.

Side Mount Filters

- 1 Top Manhole*** Service and maintenance access on top of the filter.
- 2 Funnel** Even distribution of water flow across the water filter.
- 3 Lateral Pipes*** Hydraulic efficient design for best performance and minimum water usage.
- 4 Piping Connection*** Both union and flange connection available. Depends on model and upon request.
- 5 Manual Drain*** Easily access drain point for water discharge.
- 6 Base** Large filter base for stable floor mounting.



*1 - Plastic lock ring & lid design available for certain models, please refer to Guideline & References.

*3 - Nozzle plate design available, please refer to SPDD series (page 15).

*4 - MPV is optional item (Available up to 100mm pipe size only).

*5 - Side hatch is available for certain models, please refer to respective series

Guideline & References

RECOMMENDED VELOCITY & FLOW RATE

Port Size mm	Port Size (EU) mm	Recommended Maximum Flow Rate	
		lpm	m ³ /hr
40	50	320	19.2
50	63	510	30.6
65	75	760	45.6
80	90	1080	64.8
100	110	1800	108.0
150	160	3420	205.2
200	200	6720	403.2

- Higher flow rate through a smaller pipe will have significant pressure drop, and it is waste of energy.

PRESSURE RATING

Series	Recommended Maximum Flow Rate				
	Standard	4.0 Bar	6.0 Bar	8.0 Bar	10.0 Bar
S	2.5 Bar	o	x	x	x
SM	2.5 Bar	o	o	o	x
SMD	2.5 Bar	o	o	o	o
SMDD	2.5 Bar	o	o	o	o
SPDD	2.5 Bar	o	o	o	o
SMDDT	4.0 Bar	o	x	x	x

- o - Available upon request
- x - Not Applicable

TOP COVER

Description	Neck Ring	FRP Manhole
Availability	Filter Diameter: 500-2000mm	Filter Diameter: 500-3000mm
Pressure Rating	Up to 4 Bar	Up to 10 Bar
Impact Resistance	★★	★★★★★
Corrosion Resistance	★★★★★	★★★★★
Sealing	★★	★★★★★
Installation	★★	★★

TOP MANHOLE

Description	Plastic Lock Ring & Lid	FRP Manhole Cover
Availability	Filter Diameter: 500-2000mm	Filter Diameter: 500-3000mm
Pressure Rating	Up to 4 Bar	Up to 10 Bar
Air Relief Valve	Manual Only	Auto or Manual
Impact Resistance	★★★ (3/4)	★★★★★ (4/4)
Corrosion Resistance	★★★★★ (4/4)	★★★★★ (4/4)
Sealing	★★★ (3/4)	★★★★★ (4/4)

MEDIA DENSITY



Glass Pearl
(1.61 kg/L)



Sand
(1.46 kg/L)



ZeoPlus
(1.20 kg/L)



EcoPure
(1.33 kg/L)

Different type of media will be having different media weight even with the same model. To determine the required weight for each type of media, apply the formula below:

Weight of media (kg) = Density (kg/L) x Volume (L)

Example - Required sand weight for model S500

Media Volume : 65 L

Required weight = 1.46 kg/L x 65 L = **94.9 kg**





S-Series

page 7 - 8



SM-Series

page 9 - 10



SMD-Series

page 11 - 12



SMDD-Series

page 13 - 14



SPDD-Series

page 15 - 16



SMDDT-Series

page 17 - 18

MICRON TOP MOUNT FILTERS

S-SERIES

GENERAL INFORMATION

Distribution | [Lateral Piping](#)

Design Filtration Rate | [36 m³/hr/m²](#)

Max. Temperature | [50 °C](#)

Feature | [Plug & Play](#)

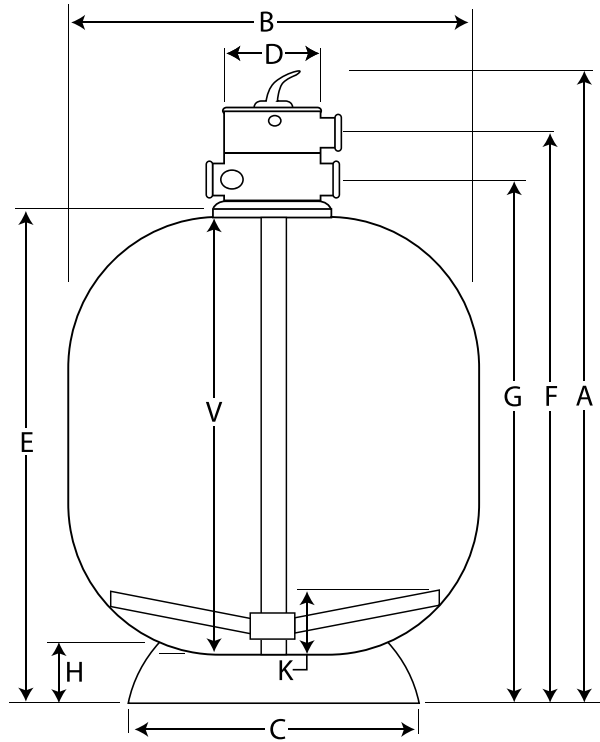


Filter Model	Valve Size	Inner Diameter	Filter Area	Bed Depth	Filtration Flow Rate		Media Volume	Filter Weight	Sand
	mm				m ²	mm			
S500	40	500	0.20	280.0	7.0	120.0	65	11	95
S600	40	600	0.28	295.0	10.0	168.0	106	17	155
S602	50	600	0.28	295.0	10.0	168.0	106	17	155
S700	40	700	0.38	340.0	14.0	228.0	158	20	231
S702	50	700	0.38	340.0	14.0	228.0	154	20	225
S750	50	750	0.44	340.0	16.0	264.0	175	24	256
S800	50	800	0.50	420.0	18.0	300.0	233	27	340
S900	50	900	0.64	420.0	23.0	384.0	322	28	470
S1000	50	1000	0.79	480.0	28.0	474.0	438	43	639
S1050	65	1050	0.87	510.0	31.0	522.0	503	60	734
S1200	65	1200	1.13	580.0	41.0	678.0	736	70	1075
	80						760	100	1110
S1400	80	1400	1.54	670.0	55.0	924.0	1011	150	1476

OPTIONAL

Pressure Rating

2.5 Bar (Standard) | 4.0 Bar



Model	Valve Size	A	B	C	D	E	F	G	H	V	K
S500	40	864	505	484	180	625	731	672	88	525	94
S600	40	968	622	484	180	721	832	778	88	620	136
S602	50	1085	622	484	220	735	905	805	88	630	143
S700	40	932	723	620	180	692	801	743	90	650	139
S702	50	1072	723	620	220	722	892	792	90	652	122
S750	50	1217	772	620	220	867	1037	937	90	773	127
S800	50	1157	810	620	220	807	977	877	90	713	111
S900	50	1234	910	620	220	884	1054	954	90	785	163
S1000	50	1384	1010	678	220	1034	1204	1104	120	888	164
S1050	65	1490	1077	1045	264	1090	1316	1183	176	940	163
S1200	65	1615	1210	1045	264	1215	1441	1308	176	1040	173
	80	1947	1232		301	1455	1675	1566		1200	200
S1400	80	2020	1440	1200	301	1530	1748	1640	220	1275	200

MICRON SIDE MOUNT FILTERS

SM-SERIES

GENERAL INFORMATION

Distribution | Lateral Piping

Design Filtration Rate | 36 m³/hr/m²

Max. Temperature | 50 °C

Feature | Fit For Height Constraint
Space



Filter Model	Valve Size	Inner Diameter	Filter Area	Bed Depth	Filtration Flow Rate		Media Volume	Filter Weight	Sand
	mm				m ²	mm			
SM500	40	500	0.20	290.0	7.0	120.0	65	15	95
SM600	40	600	0.28	360.0	10.0	168.0	113	20	165
SM700	50	700	0.38	380.0	14.0	228.0	164	27	239
SM750	50	750	0.44	400.0	16.0	264.0	195	31	285
SM900	50	900	0.64	440.0	23.0	384.0	301	43	439
SM1050	65	1050	0.87	470.0	31.0	522.0	432	150	631
	80								
SM1200	65	1200	1.13	580.0	41.0	678.0	705	160	1029
	80								
SM1400	80	1400	1.54	670.0	55.0	924.0	1130	250	1650
SM1600	80	1600	2.01	670.0	72.0	1206.0	1483	300	2165
	100								

OPTIONAL

Pressure Rating

2.5 Bar (Standard) | 4.0 Bar
6.0 Bar | 8.0 Bar

Connection

Union | Flange

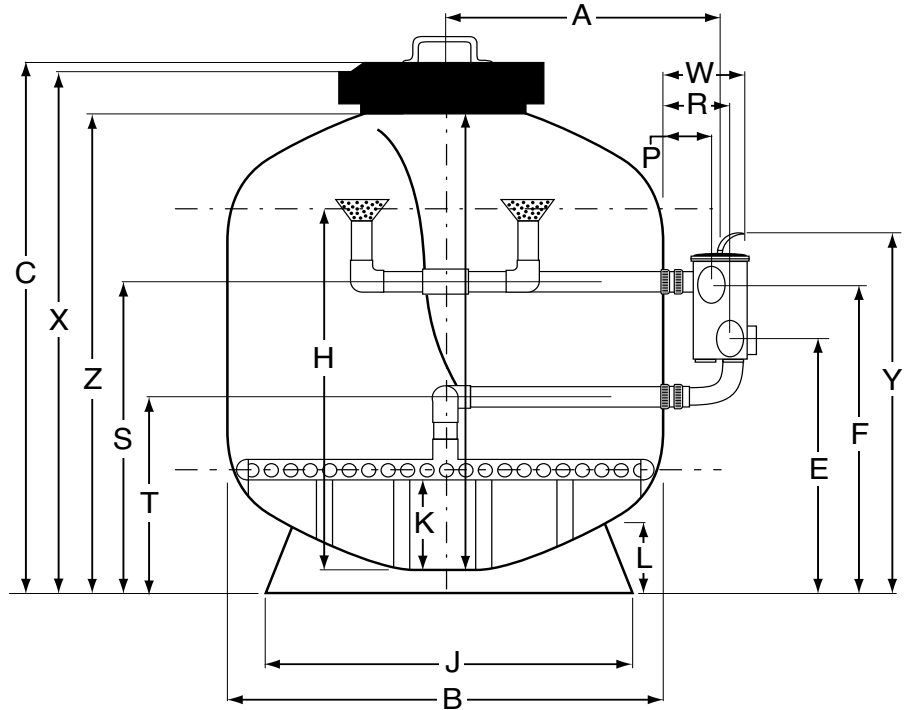
Top Manhole*

Plastic Lock Ring & Lid | FRP
Manhole Cover

Air Relief Valve*

Auto | Manual

**Please refer to "Guideline & References"*



Model	Valve Size	A	B	C	W	R	P	E	F	K	V	H	L	X	Y	Z	J	S	T
SM500	40	475	520	846	306	249	171	485	539	100	652	585	70	813	683	740	445	485	282
SM600	40	526	622	906	306	249	171	520	574	105	690	601	87	873	718	800	484	520	317
SM700	40	587	719	941	334	262	191	520	622	120	728	685	90	908	779	835	620	520	317
SM750	50	613	772	976	334	262	191	541	643	113	763	652	90	943	800	870	620	541	337
SM900	50	689	923	1086	334	262	191	591	693	113	860	750	90	1053	850	980	620	591	387
SM1050	65	796	1077	1273	389	298	193	772	898	120	985	880	176	1241	1082	1165	1045	772	472
	80	900		1244	510	363	548	790	900		980			1159	1172	1089		790	435
SM1200	65	873	1232	1520	389	298	193	916	1042	190	1191	1022	176	1489	1226	1413	1045	916	616
	80	978		1485	510	363	548	952	1062	150	1145	982		1400	1334	1330		952	596
SM1400	80	1083	1442	1608	510	363	548	998	1108	190	1217	1065	218	1523	1380	1453	1202	998	642.4
SM1600	80	1184	1644	1875	510	363	548	1101	1211	205	1520	1220	218	1790	1483	1720	1202	1101	745.4
	100	1765			943	474	629	707	369			1300		1790	707	1720		1139	707.2

MICRON SIDE MOUNT FILTERS

SMD-SERIES

GENERAL INFORMATION

Distribution | [Lateral Piping](#)

Design Filtration Rate | [36 m³/hr/m²](#)

Design Backwash Rate | [40 m³/hr/m²](#)

Max. Temperature | [50 °C](#)

Feature | [1000mm Deep Filtration Bed](#)



Filter Model	Valve Size	Inner Diameter	Filter Area	Filtration Flow Rates		Maximum Backwash Flow Rate		Media Volume	Filter Weight	Sand
	mm			m ²	m ³ /hr	lpm	m ³ /hr			
SMD750	50	750	0.44	15.8	262	22.0	367	459	58	670
SMD900	50	900	0.64	23.0	382	32.0	534	658	155	961
	65							699		1021
	80							695		1015
SMD1050	65	1050	0.87	31.3	520	43.5	726	973	162	1421
	80							966		1410
SMD1200	80	1200	1.13	40.7	676	56.5	944	1175	175	1716
	100							1192		1740
SMD1400	80	1400	1.54	55.4	920	77.0	1286	1723	270	2516
	100							1637		2390
SMD1600	80	1600	2.01	72.4	1202	100.5	1678	2171	330	3170
	100							2092		3054
SMD1800	100	1800	2.54	91.4	1517	127.0	2121	2880	429	4205
	150							2904		4240
SMD2000	100	2000	3.14	113.0	1876	157.0	2622	3521	500	5141
	150							3490		5095

OPTIONAL

Pressure Rating

2.5 Bar (Standard) | 4.0 Bar | 6.0 Bar
8.0 Bar | 10.0 Bar

Connection

Union | Flange

Maintenance

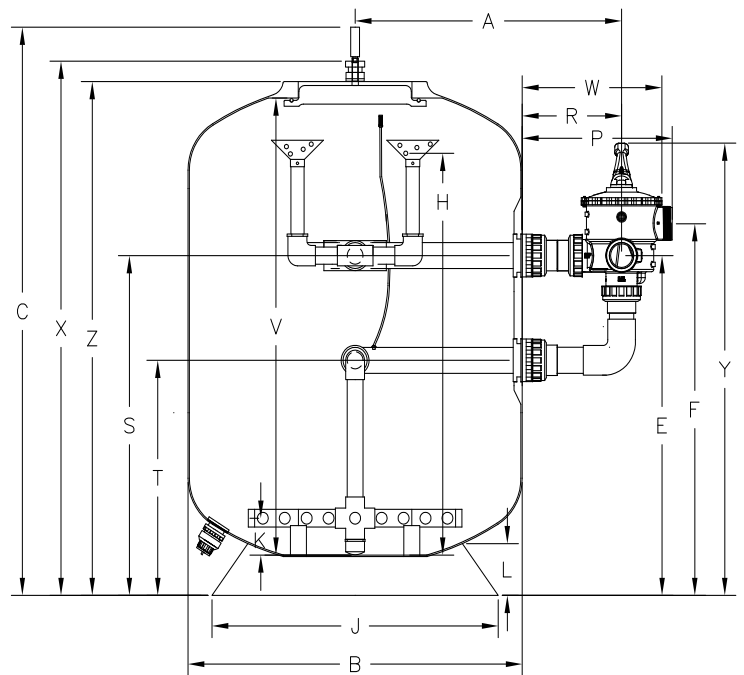
Sight Glass | Side Hatch | Manual Drain

Top Manhole*

Plastic Lock Ring & Lid | FRP
Manhole Cover

Air Relief Valve*

Auto | Manual



*Please refer to "Guideline & References"

Model	Port Size	A	B	C	W	R	P	E	F	K	V	H	L	X	Y	Z	J	S	T
SMD750	50	613	772	1689	334	262	191	1226	1328	113	1425	1363	120	1656	1485	1583	678	1226	1023
SMD900	50	689	923	1762	334	262	191	1274	1376	113	1455	1363	155	1729	1533	1656	735	1274	1071
	65	719		1918	389	298	193	1300	1426	223	1580	1473		1833	1610	1763		1300	1000
	80	824		510	363	548	1406	1516	190	1440	1788	1406		1050					
SMD1050	65	796	1110	1930	389	298	193	1044	1170	220	1605	1470	176	1845	1354	1775	1045	1044	744
	80	918			510	363	548	1100	1210	1482		1100							
SMD1200	80	977	1229	1935	510	363	548	1154	1264	150	1590	1400	176	1850	1536	1780	1045	1154	798
	100	1558			943	474	629	760	422	180		760		1192	760				
SMD1400	80	1083	1442	1955	510	363	548	1204	1314	250	1615	1500	218	1870	1586	1800	1202	1204	848
	100	1664			943	474	629	810	472	200		1450		810	1242		810		
SMD1600	80	1184	1644	1994	510	363	548	1151	1261	220	1615	1500	218	1909	1533	1839	1202	1151	795
	100	1765			943	474	629	757	419	180		1430		757	1189		757		
SMD1800	100	1863	1839	1985	943	474	629	751	413	225	1710	1475	315	1900	751	1830	1755	1183	751
	150	-			-	-	-	-	320	1570		-		1168	685				
SMD2000	100	1964	2042	2063	943	474	629	758	420	300	1765	1550	245	1978	758	1908	1755	1190	758
	150	-			-	-	-	-	-						-			-	1215

MICRON SIDE MOUNT FILTERS

SMDD-SERIES

GENERAL INFORMATION

Distribution | Lateral Piping

Design Filtration Rate | 36 m³/hr/m²

Design Backwash Rate | 40 m³/hr/m²

Max. Temperature | 50 °C

Feature | 1200mm Deep Filtration Bed



Filter Model	Valve Size	Inner Diameter	Filter Area	Filtration Flow Rates		Maximum Backwash Flow Rate		Media Volume	Filter Weight	Sand
	mm			m ²	m ³ /hr	lpm	m ³ /hr			
SMDD600	40	600	0.28	10.1	169	14.0	234	360	55	525
SMDD750	50	750	0.44	15.8	264	22.0	367	545	66	795
SMDD900	50	900	0.64	23.0	384	32.0	534	784	172	1145
	65							784		
	80							822		
SMDD1050	65	1050	0.87	31.3	523	43.5	726	1144	181	1670
	80							1140		1665
SMDD1200	65	1200	1.13	40.7	680	56.5	944	1442	223	2105
	80							1401		2045
	100							1414		2065
SMDD1400	80	1400	1.54	55.4	925	77.0	1286	2031	275	2965
	100							1945		2840
SMDD1600	80	1600	2.01	72.4	1209	100.5	1678	2548	352	3720
	100							2524		3685
SMDD1800	100	1800	2.54	91.4	1526	127.0	2121	3192	377	4660
	150							3408		4975
SMDD2000	100	2000	3.14	113.0	1887	157.0	2622	4147	590	6055
	150							4171		6090
SMDD2200	150	2200	3.80	136.8	2285	190.0	3173	5223	700	7625
SMDD2350	150	2350	4.34	156.2	2609	217.0	3624	5808	885	8480
SMDD2500	150	2500	4.91	176.8	2953	245.5	4100	6538	1033	9545
SMDD3000	200	3000	7.07	254.5	4250	353.5	5903	9589	1300	14000

OPTIONAL

Pressure Rating

2.5 Bar (Standard) | 4.0 Bar
6.0 Bar | 8.0 Bar | 10.0 Bar

Connection

Union | Flange

Maintenance

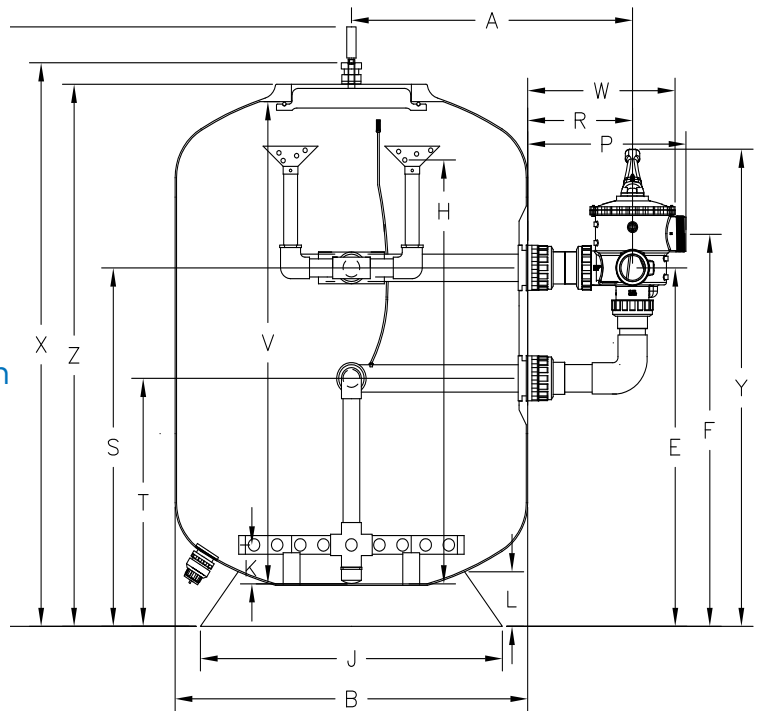
Sight Glass | Side Hatch | Manual Drain

Top Manhole*

Plastic Lock Ring & Lid | FRP
Manhole Cover

Air Relief Valve*

Auto | Manual



*Please refer to "Guideline & References"

Model	Port Size	A	B	C	W	R	P	E	F	K	V	H	L	X	Y	Z	J	S	T	
SMDD600	40	527	623	1974	306	249	171	1546	1600	136	1740	1736	88	1941	1744	1868	540	1546	1343	
SMDD750	50	613	772	2044	334	262	191	1586	1688	113	1780	1713	120	2011	1845	1938	678	1586	1383	
SMDD900	50	689	923	2107	334	262	191	1619	1721	113	1800	1713	155	2074	1878	2001	735	1619	1416	
	65	719		2268	389	298	193	1624	1750	223	1930	1823		2183	1934	2113		1624	1324	
	80	824		2268	510	363	548	1680	1790	190		1780		2183	2062	1680				
SMDD1050	65	796	1110	2270	389	298	193	1594	1720	220	1950	1820	176	2185	1904	2115	1045	1594	1294	
	80	918			510	363	548	1650	1760						2032			1650		
SMDD1200	65	873	1229	2243	389	298	193	1609	1735	190	1900	1790	176	2158	1919	2088	1045	1609	1309	
	80	977			510	363	548	1665	1775	150		1750			1780			2047		1665
	100	1558			943	474	629	883	545	180		1800			883			1315		883
SMDD1400	80	1083	1442	2313	510	363	548	1618	1728	250	1970	1860	218	2228	2000	2158	1202	1618	1262	
	100	1664			943	474	629	898	560	200	1975	1800			898			1330		898
SMDD1600	80	1184	1644	2285	510	363	548	1383	1493	205	1950	1805	218	2200	1765	2130	1202	1382.7	1027	
	100	1765			943	474	629	989	651	200		1800			989			1420.8		989
SMDD1800	100	1863	1839	2260	943	474	629	866	528	210	2010	1810	315	2175	866	2105	1755	1298	866	
	150	-			-	-	-	-	-	320		1920			-			1382.6		900
SMDD2000	100	1964	2042	2398	943	474	629	878	540	300	2100	1900	245	2313	878	2243	1755	1310	878	
	150	-			-	-	-	-	-	320		1920			-			827		
SMDD2200	150	-	2245	2415	-	-	-	-	-	380	2090	1980	245	2330	-	2260	1755	1386	903	
SMDD2350	150	-	2390	2435	-	-	-	-	-	355	2118	1955	340	2330	-	2330	2037	1500	1017	
SMDD2500	150	-	2575	2510	-	-	-	-	-	355	2190	1955	340	2405	-	2405	2037	1494	1011	
SMDD3000	200	-	3045	2890	-	-	-	-	-	465	2490	2065	417	2785	-	2785	2660	1688	1205	

MICRON SIDE MOUNT FILTERS

SPDD-SERIES

GENERAL INFORMATION

Distribution | [Nozzle Plate](#)

Design Filtration Rate | [36 m³/hr/m²](#)

Design Backwash Rate | [40 m³/hr/m²](#)

Max. Temperature | [50 °C](#)

Bed Depth | [1200mm](#)

Feature | [Nozzle Plate Design](#)



Filter Model	Valve Size	Inner Diameter	Filter Area	Filtration Flow Rates		Maximum Backwash Flow Rate		Media Volume	Filter Weight	Sand
	mm			m ²	m ³ /hr	lpm	m ³ /hr			
SPDD900	80	900	0.64	23.0	384	32.0	534	750	190	1095
SPDD1050	80	1050	0.87	31.2	521	43.3	723	1017	199	1485
SPDD1200	80	1200	1.13	40.7	680	56.5	944	1322	245	1930
	100									
SPDD1400	100	1400	1.54	55.4	925	77.0	1286	1808	303	2640
SPDD1600	80	1600	2.01	72.4	1209	100.5	1678	2380	387	3455
	100				1209.08		1678.35			
SPDD1800	100	1800	2.54	91.6	1530	127.2	2124	2966	415	4330
	150									
SPDD2000	100	2000	3.14	113.1	1889	157.1	2624	3671	649	5360
	150				1889.77		2623.57			
SPDD2200	150	2200	3.8	136.8	2281	190.1	3168	4491	800	6557
SPDD2350	150	2350	4.34	156.1	2607	216.9	3622	5089	1008	7430
SPDD2500	150	2500	4.91	176.7	2951	245.4	4098	5760	1230	8410
SPDD3000	200	3000	7.07	254.5	4250	353.4	5902	7997	1500	12875
	250									

OPTIONAL

Pressure Rating

2.5 Bar (Standard) | 4.0 Bar
6.0 Bar | 8.0 Bar | 10.0 Bar

Connection

Union | Flange

Maintenance

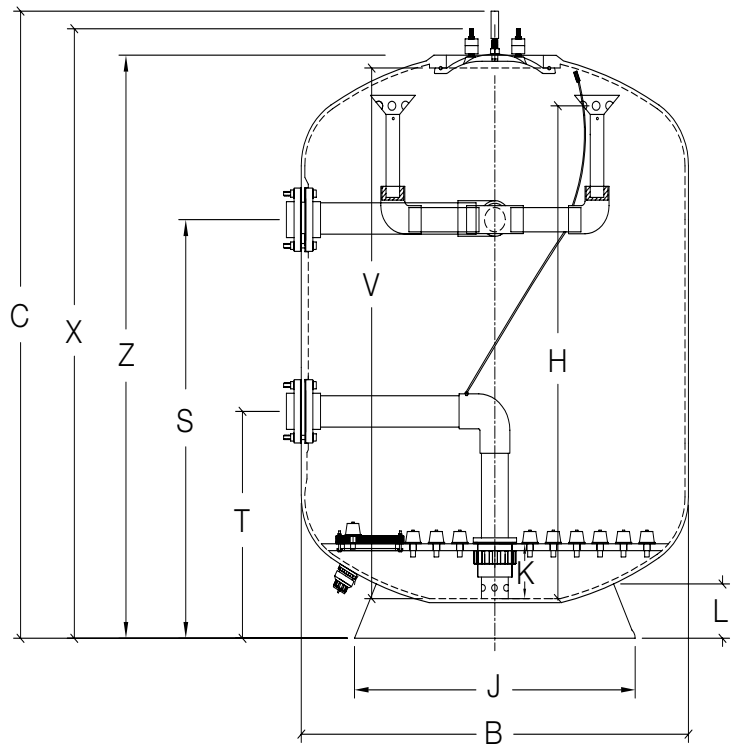
Sight Glass | Side Hatch
Manual Drain

Top Manhole*

Plastic Lock Ring & Lid | FRP
Manhole Cover

Air Relief Valve*

Auto | Manual



*Please refer to "Guideline & References"

Model	Port Size	B	C	K	V	H	L	X	Z	J	S	T
SPDD900	80	923	2368	190	1930	1780	155	2183	2113	735	1680	1324
SPDD1050	80	1110	2370	220	1950	1820	176	2185	2115	1045	1650	1294
SPDD1200	80	1229	2343	180	1900	1750	176	2158	2088	1045	1665	1309
	100										1315	883
SPDD1400	100	1442	2313	200	1975	1800	218	2228	2158	1202	1330	898
SPDD1600	80	1644	2385	205	1950	1805	218	2200	2130	1202	1383	1027
	100			200		1800					1421	989
SPDD1800	100	1839	2360	210	2010	1810	315	2175	2105	1755	1298	866
	150			320		1920					1383	900
SPDD2000	100	2042	2498	300	2100	1900	245	2313	2243	1755	1310	878
	150			320		1920						827
SPDD2200	150	2245	2420	355	2090	1946	245	2330	2260	1755	1386	903
SPDD2350	150	2390	2585	355	2118	1955	340	2330	2330	2037	1500	1017
SPDD2500	150	2575	2660	355	2190	1955	340	2405	2405	2037	1494	1011
SPDD3000	200	3040	3061	465	2495	2065	419	2871	2760	2660	1746	1146
	250			504		2091						1210

MICRON SIDE MOUNT FILTERS

SMDDT-SERIES

GENERAL INFORMATION

- Distribution | [Lateral Piping](#)
- Design Filtration Rate | [36 m³/hr/m²](#)
- Design Backwash Rate | [40 m³/hr/m²](#)
- Max. Temperature | [50 °C](#)
- Bed Depth | [1200mm](#)
- Feature | [Split Tank Design](#)



Filter Model	Valve Size	Inner Diameter	Filter Area	Filtration Flow Rates		Maximum Backwash Flow Rate		Media Volume	Filter Weight	Sand
	mm	mm	m ²	m ³ /hr	lpm	m ³ /hr	lpm	L	kg	kg
SMDDT1200	80	1200	1.13	40.7	680	56.5	944	1401	450	2045
SMDDT1400	100	1400	1.54	55.4	925	77.0	1286	1945	550	2840
SMDDT1600	100	1600	2.01	72.4	1209	100.5	1678	2524	685	3685
SMDDT1800	150	1800	2.54	91.6	1530	127.2	2124	3408	900	4975

OPTIONAL

Connection

Union | Flange

Maintenance

Sight Glass

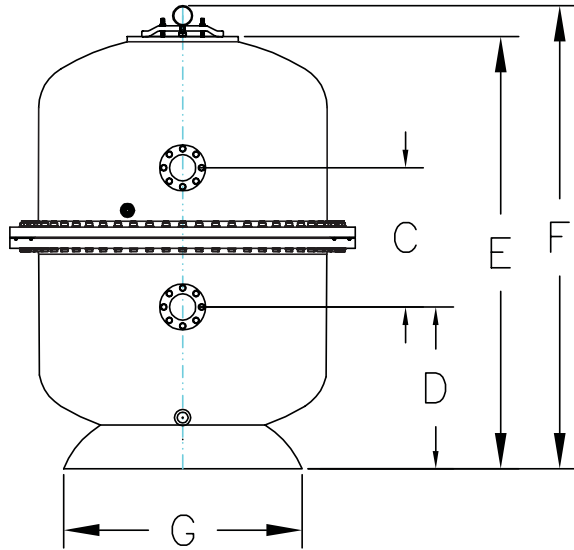
Top Manhole*

Plastic Lock Ring & Lid | FRP
Manhole Cover

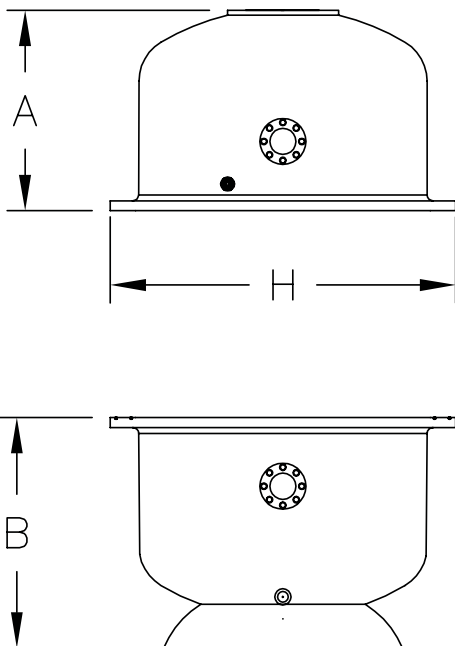
Air Relief Valve*

Auto | Manual

**Please refer to "Guideline & References"*



Model	Port Size	C	D	E	G	F
SMDDT1200	80	700	749	2088	1045	2245
SMDDT1400	100	700	814	2170	1200	2330
SMDDT1600	100	700	829	2130	1200	2285
SMDDT1800	150	700	789	2188	1760	2355



Model	Port Size	A	B	H
SMDDT1200	80	1010	1095	1521
SMDDT1400	100	1008	1165	1737
SMDDT1600	100	995	1130	1943
SMDDT1800	150	1105	1100	2105

WATERCO

water, the liquid of life

Waterco pioneers reliable solutions for healthy, safe water environments, which are used in residential, commercial and industrial applications in over 40 countries.

Established in 1981, it has since become a global brand recognised for designing and manufacturing filtration and sanitisation innovations for the swimming pool, spa, aquaculture, and water purification sectors.



CONTACT WATERCO

Waterco's head office is situated in Sydney, Australia with international offices, manufacturing plants and warehouses located in Australia, New Zealand, Malaysia, Indonesia, Singapore, China, the US, Canada, and the UK.

OFFICES - AUSTRALIA

NSW - Sydney (Head Office)
Tel: +61 2 9898 8600
QLD - Brisbane
Tel: +61 7 3299 9900
VIC/TAS - Melbourne
Tel: +61 3 9764 1211
WA - Perth
Tel: +61 8 9273 1900
SA/NT - Adelaide
Tel: +61 8 8244 6000
ACT Distribution
Tel: +61 2 6280 6476

OFFICES - OVERSEAS

Waterco (Europe) Limited
Sittingbourne, Kent, UK
Tel: +44 (0) 1795 521 733
Waterco (USA) Inc
Augusta, Georgia, USA
Tel: +1 706 793 7291
Waterco Canada
Boucherville, Quebec, Canada
Tel: +1 450 748 1421
Waterco (NZ) Limited
Auckland, New Zealand
Tel: +64 9 525 7570

Waterco (C) Limited
Guangzhou, China
Tel: +86 20 3222 2180
Waterco (Far East) Sdn Bhd
Selangor, Malaysia
Tel: +60 3 6145 6000
PT Waterco Indonesia
Jakarta, Indonesia
Tel: +62 21 4585 1481
Waterco Singapore Intl Pte Ltd
Nehsons Building, Singapore
Tel: +65 6344 2378

DISTRIBUTED BY:

